



7 day electronic timer



# TIMER

## POWER

daily & weekly programs for plug-in devices, with a countdown option – ideal for irons and hair straighteners

### FEATURES

- 16 selectable options and 10 programmes
- Manual override facility
- Option of 12/24hr time display
- Compact programmable plug-in timer
- Summer time adjustment feature
- Automatic time control of home appliances and security devices
- Random function to mimic home activity
- Power indicator

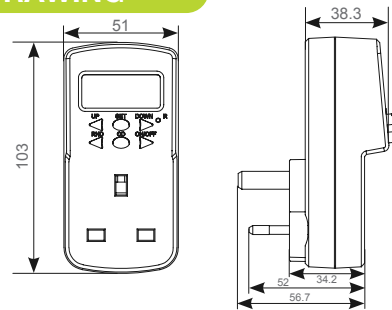


### PRODUCT IMAGES



TES7

### LINE DRAWING



### PRODUCT INFORMATION

|                    |  |
|--------------------|--|
| Part Number        | TES7                                   |
| Product Dimensions | Height 103mm x Width 51mm x Depth 61mm |
| Sockets            | 1                                      |

### TECHNICAL SPECIFICATIONS

|                       |   |  |
|-----------------------|---|--|
| Standard(s)           | This product is certified to applicable British safety standards<br>EN60730-2-7 |  |
| Maximum Load          | 10(1)A, 2400 Watts (1AX Inductive Load)   |  |
| Operating Temperature | -10°C - + 40°C  |  |
| Accuracy              | ±1 Min/Mon  |  |
| Backup Battery        | NiMH 1.2V > 100hrs  |  |

### ENVIRONMENTAL PROTECTION

This symbol is known as the 'Crossed-out Wheelie Bin Symbol'. When this symbol is marked on a product or battery. It means that it should not be disposed of with your general household waste. Some chemicals contained within electrical/electronic products or batteries can be harmful to health and the environment. Only dispose of electrical/electronic/battery items in separate collection schemes, which cater for the recovery and recycling of materials contained within. Your co-operation is vital to ensure the success of these schemes and for the protection of the environment.



## INSTALLATION INSTRUCTIONS

**IMPORTANT – PLEASE READ THESE INSTRUCTIONS CAREFULLY BEFORE USE AND KEEP FOR FUTURE REFERENCE.**

### Safety Warning

Always use in accordance with these safety instructions. If in doubt consult a qualified electrician or contact our Technical Support service.

- Do not exceed maximum load = 10(1) Amps, 2400 Watts
- Always ensure the appliance plug is fully inserted into the timer socket
- Do not immerse in water. If cleaning is required, removed from the socket and wipe with a dry cloth.
- Do not use if damaged
- Do not use with high current devices, heaters or motors
- Do not use with energy saving bulbs
- Keep out of sight and reach of children
- For indoor use only

### Product Operation

**UP / DOWN** – Used to set timer and scroll through menus

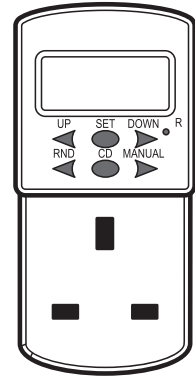
**SET** – to confirm selection

**RND** – Random mode

**CD** – Count down mode

**Manual** – Used for manual on/off operation

**R** – Reset, to reset and clear the memory use a blunt instrument to press the reset button.



### Initial Set-up

1. Plug the timer into a power socket and turn the power on. Leave for approximately 14 hours to charge the Memory Back-up battery.
2. Clear the timer memory by pressing the **R** button with a blunt object such as a pen or pencil after charging.
3. The timer is now ready to be set up for use.

### Setting the Current Time

1. The time should be the default screen. If not, Press **UP** button or **DOWN** button until the word “**CLOCK**” displays in the LCD screen.
2. Press and hold the SET button for 2 seconds, the word “**SET**” will display and flash on the screen and the “**WEEK DAY**” in the top right corner of the screen will flash at same time.
3. Press UP button or DOWN button to set the “**WEEK DAY**”. Press SET button once time and release, the week day will stop flashing and now the “**HOUR**” number will flash.
4. Press UP button or DOWN button to set the “**HOUR**”. Press SET button once time and release, the hour will stop flashing and now the “**MINUTE**” number will flash.
5. Press UP button or DOWN button to set the “**MINUTE**”. Press SET button once time and release, the time is now set.
6. To adjust the time, repeat above steps.

### 12/24 Hour Display

To change between 12 hr or 24hr operation press **SET** and **CD** together. “**AM**” or “**PM**” will appear on the screen for 12 hr operation.

### Summer Time Function

To adjust the time between winter and summer press **SET** and **MANUAL** together.

For summer time the clock will advance one hour and “**S**” will appear on the screen to denote the summertime operation.

### Setting Programs

When verifying your programs ensure that the settings do not overlap, especially when using the block option. If there are program settings overlapping, the timer ON or OFF will be executed according to program time, not by program number. Program OFF has the priority over program ON.

Programs will only operate when the timer is in **AUTO** mode.

1. Press **UP** button or **DOWN** button until the display shows 1 . The first ON setting can be made now.
2. Press SET button once, the word “**SET**” will display and flash on the screen and the “**WEEK DAY**” in the top right corner of the screen will flash at same time.

You have the choice of selecting an individual day, all days in the week, or groups of days.

Selection 1 – Individual Days : MO, TU, WE, TH, FR, SA, SU

Selection 2 – Every Day : MO, TU, WE, TH, FR, SA, SU

Selection 3 – Week Days : MO, TU, WE, TH, FR

Selection 4 – Weekend : SA, SU

Selection 5 – Every Day, except Sunday : MO, TU, WE, TH, FR, SA

Selection 6 – Alternate Week Days : MO, WE, FR

Selection 7 – Even Week Days : TU, TH, SA

Selection 8 – Monday to Wednesday : MO, TU, WE

Selection 9 – Thursday to Saturday : TH, FR, SA

Selection 10 - Alternate Days : MO, WE, FR, SU

3. Press **UP** button or **DOWN** button to set the “**WEEK DAY**”. Press **SET** button once time and release, the week day will stop flashing and now the “**HOUR**” number will flash.

## INSTALLATION INSTRUCTIONS

4. To select the time,

- Press **UP** button or **DOWN** button to set the “**HOUR**”. Press **SET** button once time and release, the hour will stop flashing and now the “**MINUTE**” number will flash.

- Press **UP** button or **DOWN** button to set the “**MINUTE**”. Press **SET** button once time and release, the time is now set.

5. Press “**UP**” and 1 OFF will appear, follow the same steps as above to set the **OFF** time.

Repeat the above steps each additional program.

### Timer (Auto) or Manual On/Off Operation

To select between Timer mode (**AUTO**) or manual **ON/OFF** operation press **MANUAL**. The screen will indicate the mode select, press **MANUAL** to switch between modes.

Set programs will only operate when the timer is in **AUTO** mode. Manual On/Off has priority over all timer models – Random, Countdown and Timer Programs.

### Random Function

In Random mode the timer will operate and turn ON/OFF for 10-31 minutes between 6.00pm and 6.00am. To select this random mode, press **RND**, and a letter “**R**” will appear on the screen. Press **RND** to deactivate.

### Countdown Function

The timer’s countdown function is particularly useful when used with appliance that may be dangerous when left unattended, for example curling tong or irons. The countdown function can be used to control when an appliance can be turned off, but a time period for when to turn on.

To select, scroll through the program and clock screen using the **UP** or **DOWN** buttons until the screen shows **CD**. To set the countdown time,

1. Press **SET** button once, the word “**SET**” will display and flash on the screen and “**OFF**” in the bottom right corner of the screen will flash at same time.

2. Press **UP** button or **DOWN** button to select “**ON**” or “**OFF**” for the function you wish to set.

Press **SET** button once to confirm function and release, the “**HOUR**” number will flash.

3. To select the time,

- Press **UP** button or **DOWN** button to set the “**HOUR**”. Press **SET** button once time and release, the hour will stop flashing and now the “**MINUTE**” number will flash.

- Press **UP** button or **DOWN** button to set the “**MINUTE**”. Press **SET** button once time and release, the minute will stop flashing and now the “**SECONDS**” number will flash.

- Press **UP** button or **DOWN** button to set the “**SECONDS**”.

4. Press **SET** button once and release, the time is now set. The maximum countdown time 99 hrs, 59 mins, 59 secs.

The Countdown function can only operate when the timer is in **AUTO** mode, and Random function has been deselected.

To activate the countdown function, press the **MANUAL** button until “**AUTO**” appears on the screen. Then press the **CD** button. “**CD**” will flash on the screen, and this means countdown function has been activated.

5. Press **CD** to deactivate.